



1U height, ruggedized Keyboard Drawer
with Trackball for 19" rack cabinet application



106 keys keyboard & trackball

1U Rackmount Unit

Specifications

Construction

- **Heavy duty steel**

Color

- **Black or Beige**

Keyboard & Mouse

- **IBM PS/2 compatible operation system with PS/2 keyboard and Mouse ports**

Drawer Design

- **Handpad for comfortable typing**

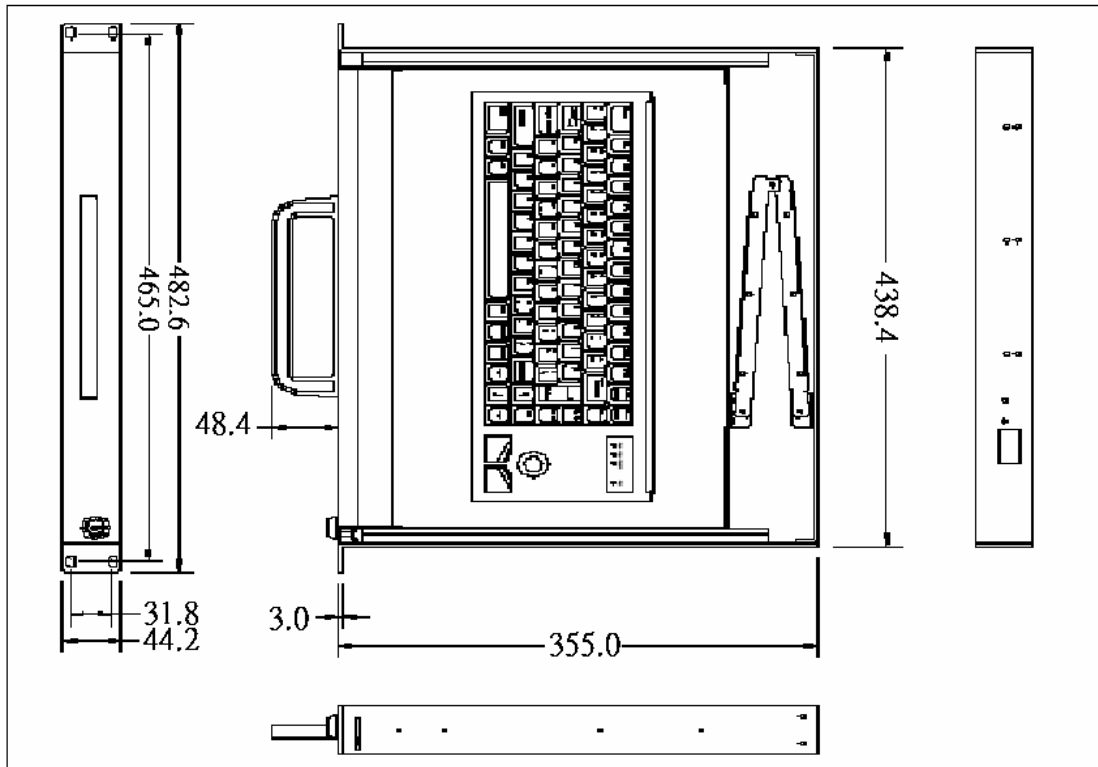
Dimension

- **438.4x355x44 mm / 17.3x14.0x1.7 inches**

Weight

- **Gross Weight: 7.0 Kg / 15.4 lbs**
- **Net Weight: 6.0 Kg / 13.2 lbs**

Mechanical Drawing



Ordering Information

- KD-G84B-BLK** 1U Keyboard drawer with Cherry
Trackball, Black color
- KD-G84B-BGE** 1U Keyboard drawer with Cherry
Trackball, Beige color