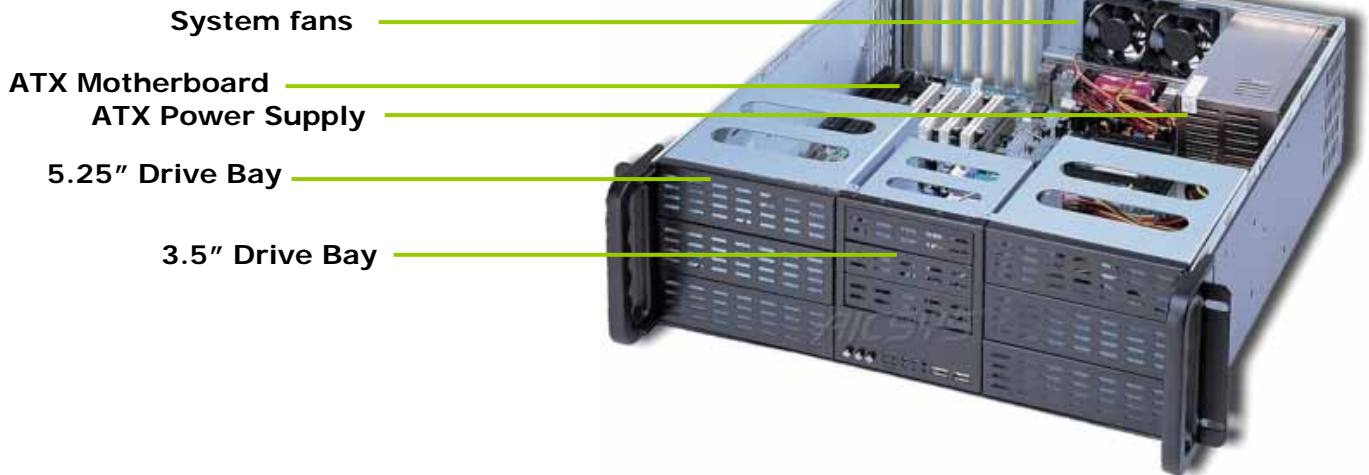




3U Rackmount Chassis with 9 drive bays, supports ATX motherboard and 300W power supply, 10 Front LED indicators, built-in System environmental monitor board



Introduction

The **RCK-309M** is high density driver bays 3U 19" chassis designed for a variety of Industrial application and for DVR monitoring system. Instead of using 4U bulky chassis, it is a good alternative solution for standard ATX motherboard application. Besides six 5.25" external drive bays, it offers three 3.5" driver bays, sufficient enough for applications that needs significant amount of driver bays.

It has two cooling fans on the rear panel for optimum heat dissipation. With two USB ports on the front panel, the chassis can be easily accessed from the front for user's conveniences purpose. There are 10 LEDs in the front panel in order to let users monitor the system status easily. The chassis can be expanded from the expansion slots of the motherboards up to six slots

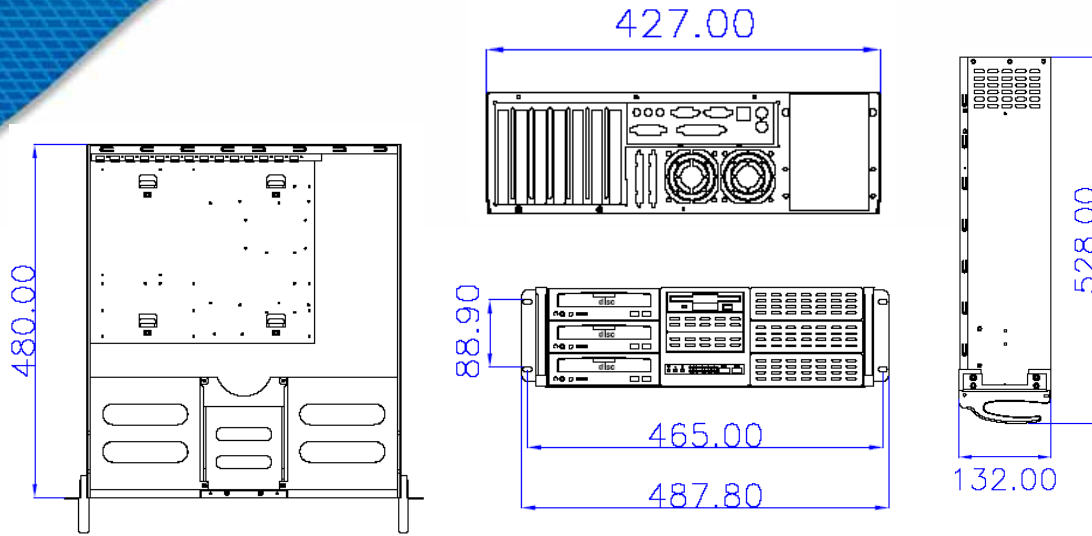
Features

- EIA RS-310C 19" Rackmount Standard 3U height
- 10 Front LEDs for monitoring power supply, HDD activity and fans status
- Built-in System environmental monitor board
- (3) 3.5" and (6) 5.25 external drive bays
- Optional LCD control panel for DVR system





Mechanical Drawing



Construction

- Heavy-Duty Steel

Color

- Black

Board Support

- ATX Motherboard

Drive Bays

- (3) 3.5" and (6) 5.25 external drive bays

Expansion

- Depends on motherboard, up to (6) expansion slots

Power Supply

- ATX power supply

Cooling System

- Built-in (2) Temperature & (8) Fan Detect Board for system environmental monitoring

Ports

- Two USB ports on front panel

Switches

- On/Off Switch and Reset Switch

Indicators

- Power ON/OFF LED
- (6) HDD Active LED
- (1) Fan Failure LED
- (2) Temperature Sensor LED

Dimensions

- 482.6(W) x 528.0(D) x 133.3(H) mm

Operating Temperature

- 0~55 °C

Gross Weight

- 11.8kg

Ordering Information

RCK-309M	3U chassis RCK-309 for ATX motherboard
RCK-309M-300W	3U chassis RCK-309 for ATX motherboard with 300W PSU
MT-SR01	Optional Slide Rail

