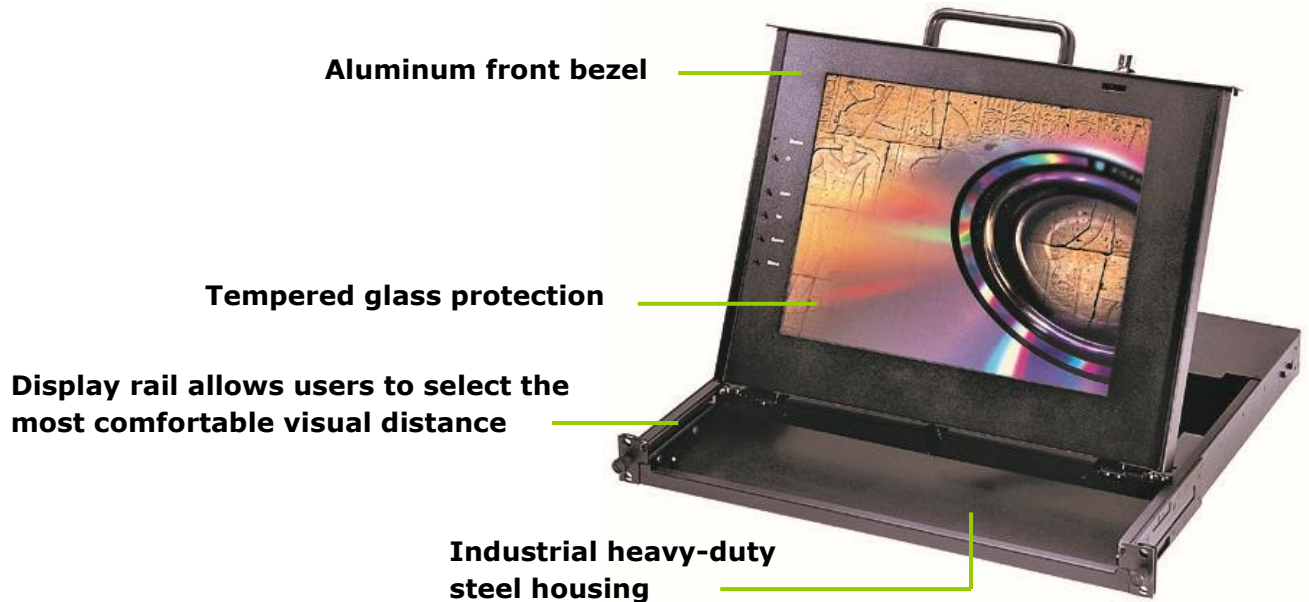




Industrial 1U Rackmount 15" / 17" / 19" LCD Monitor Drawer



Introduction

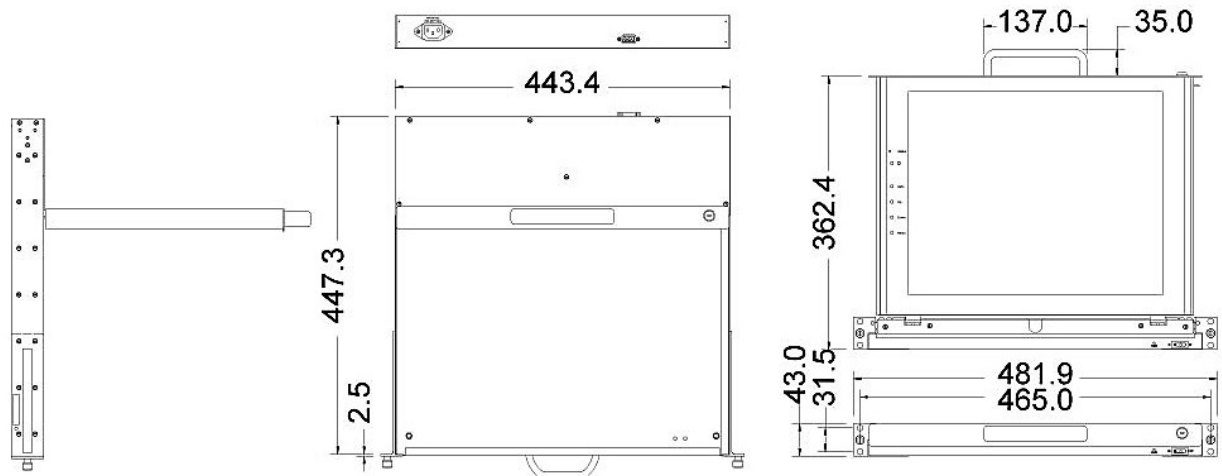
The **MEDUSA-B** series is designed to provide users with friendly and clear visual monitoring device that can be easily fitted onto standard 19" rack and takes only 1U space. The series supports 15", 17" and 19" TFT LCD display in an elegantly designed 1U heavy duty steel housing with rail to enable users to select the most comfortable visual distance. The LCD supports wide viewing angle R-L and U-D up to 170 degree. Ultra excellent display quality is supported by a maximum contrast ratio of 1000:1 and a resolution up to (SXGA) 1280 x 1024 pixels for 17" and 19" version. **MEDUSA-B** series also support Sun native resolution. It can be connected easily to your computer through standard VGA interface

Features

- Industrial 1U 19" Rackmount LCD monitor drawer
- Available in 15", 17" and 19" display panel size
- Tempered glass protection
- Low power consumption
- Short depth designs
- OSD menu for display setting
- Optional DVI-D input
- Optional Touchscreen function



Mechanical Drawing



Specification

Model	MEDUSA-B115	MEDUSA-B117	MEDUSA-B119
Display size	15"	17"	19"
Resolution	1024 x 768	1280 x 1024	
Pixel pitch	0.297 x 0.297mm	0.264 x 0.264mm	0.098 x 0.294mm
Response (Rise/Decay)	2ms / 6ms	3.8ms / 1.2ms	3.6ms / 1.4ms
Color	16M (8bit)	16.7M (6-bit with FRC)	
Contrast	400 : 1	1000 : 1	
Brightness	White 250 cd/m ²		
View angle (H/V)	130/100	170/160	
Backlight	Dual lamp		
Aspect ratio	4:3		
Touchscreen	5-wire resistive		
Power consumption	10.5W	10W	11W
Operating temp.	0°C ~ 50°C / 32°F ~ 122°F		
Storage temp.	-20°C ~ 60°C / -4°F ~ 140°F		
Relative humidity	0% ~ 95% RH, non-condensing		
Dimension (WxDxH)	482 x 447.3 x 43mm		482 x 508.8 x 43mm
Gross Weight	14kg	14.6kg	18kg

Ordering Information

MEDUSA-B115	1U 15" Rackmount TFT LCD Monitor Drawer, 1024x768 res LCD
MEDUSA-B117	1U 17" Rackmount TFT LCD Monitor Drawer, 1280 x 1024 res LCD
MEDUSA-B119	1U 19" Rackmount TFT LCD Monitor Drawer, 1280 x 1024 res LCD
MEDUSA-B11xT	MEDUSA series with resistive Touchscreen feature
MEDUSA-B11xD	MEDUSA series with VGA and DVI-D inputs
MEDUSA-B11xDT	MEDUSA series with resistive Touchscreen and VGA + DVI-D inputs