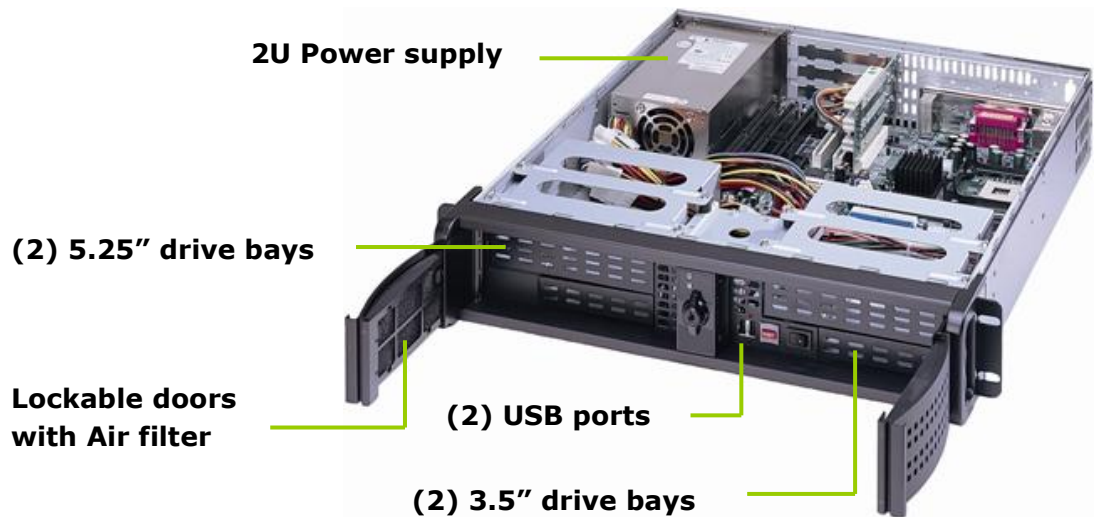




2U Rackmount Chassis with 4 drive bays, support ATX motherboard and 2U PSU



Introduction

The **RCK-204MA** is a new designed 2U chassis for motherboard with high density driver bays. It is constructed of heavy duty steel and supports standard ATX motherboard. It can accommodate two 3.5" Floppy drives and two 5.25" external driver bays.

Besides, **RCK-204MA** has a built in "system temperature monitoring boards" to monitor the status of the system. The users can easily trace the status of the system by viewing the LED at the front panel of the chassis.

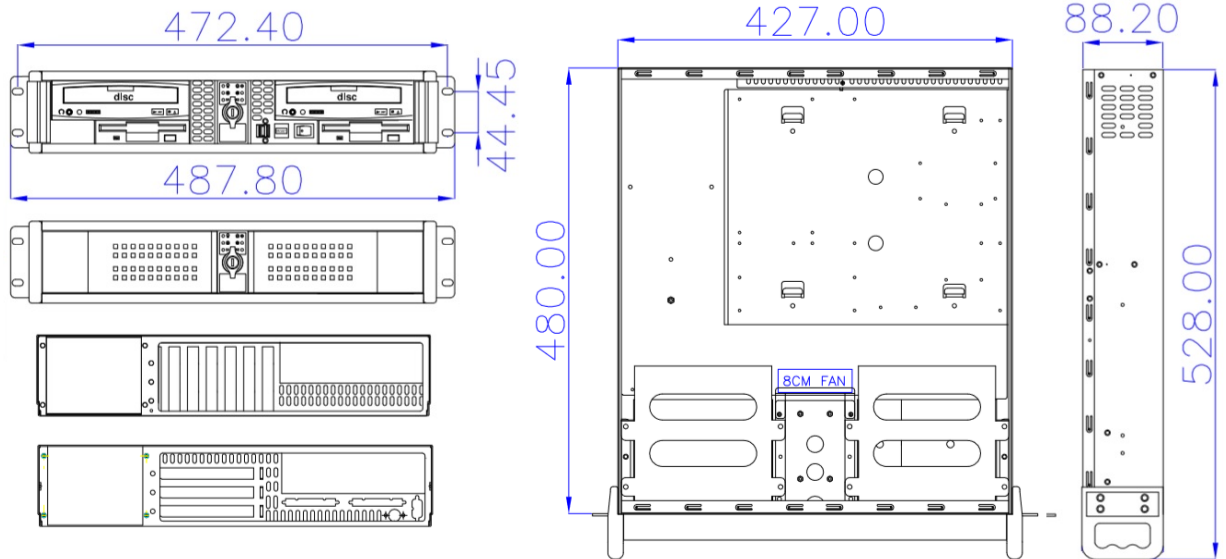
Features

- Standard 2U 19" rackmount chassis
- Heavy-duty steel construction with aluminum front doors
- Support ATX motherboard
- (2) 5.25" and (2) 3.5" drive bays
- (2) USB ports
- Dual lockable front doors with replaceable air filter
- Rear panel expansion slot:
(3) slots for full-height card, or
(6) slots for low-profile card
- Temperature monitor board
- (6) LED indicators for system monitor
- Optional (1) 8cm Fan
- Optional fan bar for additional 6cm fans
- Support 2U Single output or Redundant PSU





Mechanical Drawing



Construction

- Heavy-duty steel SECC 1.2t

Color

- Black

Board support

- ATX Motherboard

Drive bays

- (2) 5.25" external drive bays, and
- (2) 3.5" external drive bays

Expansion

- PCI-303: (3) 32-bit PCI slots Riser card
- PCIE-303A: (1) 32-bit PCI, (1) PCIe x16 and (1) PCIe x1 slots
- PCIE-303: (2) 32-bit PCI and (1) PCIe x16 slots

Power Supply

- 300W / 380W 2U single PSU
- Up to 700W 2U redundant PSU

Cooling System

- Optional (1) 8cm Fan
- Optional Fan bar for additional 6cm fans
- Replaceable air filter, and Fan monitoring board

I/O Port

- (2) USB 2.0

Switch

- Power On/Off and Reset switch

Indicator

- Power On/Off, HDD activity, and system defined LEDs

Operating temperature

- 0~45°C

Gross Weight

- 11.2kg / 24.9lbs

Dimension (W x D x H)

- 427 x 480 x 88.2mm
- 16.8 x 18.9 x 3.47inches

Ordering Information

RCK-204MA-BLK	2U chassis for ATX motherboard w/ (3) card. slots for Riser card, support 2U PSU
RCK-204MA1-BLK	2U chassis for ATX motherboard with (6) low-profile card slots, support 2U PSU
R2A-700D1V2	2U 700W*2 Hot-swap High efficiency redundant PSU
MT-SR01	Optional 18-inch ball-bearing Slide rail